

D

C

B

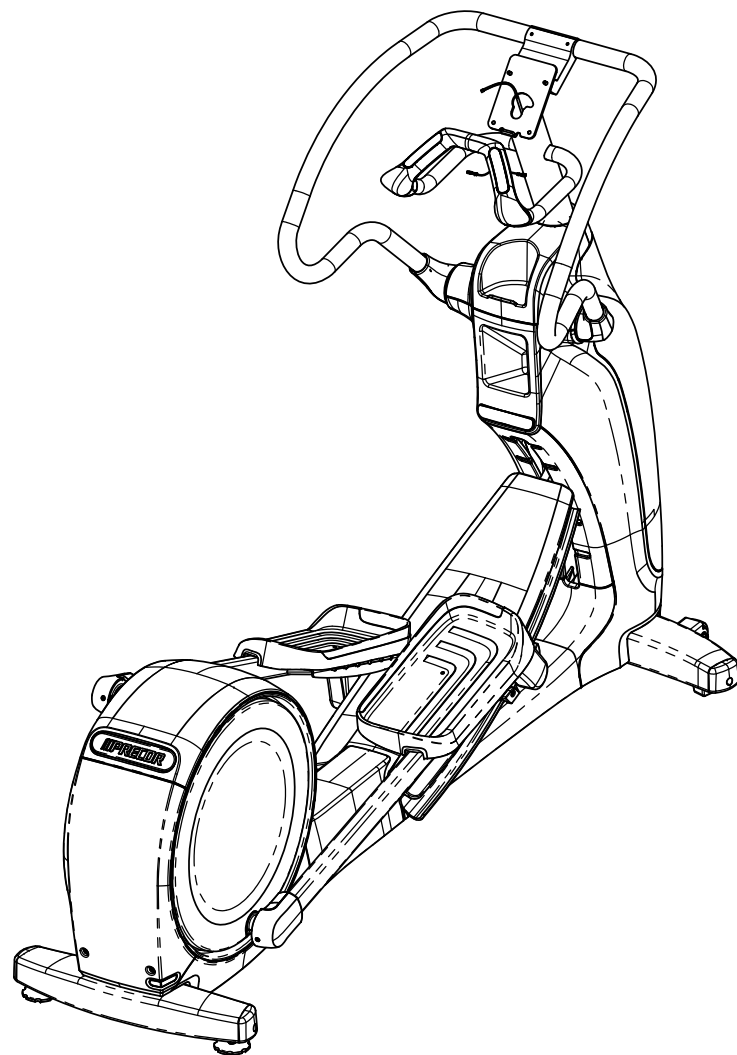
A

4

3

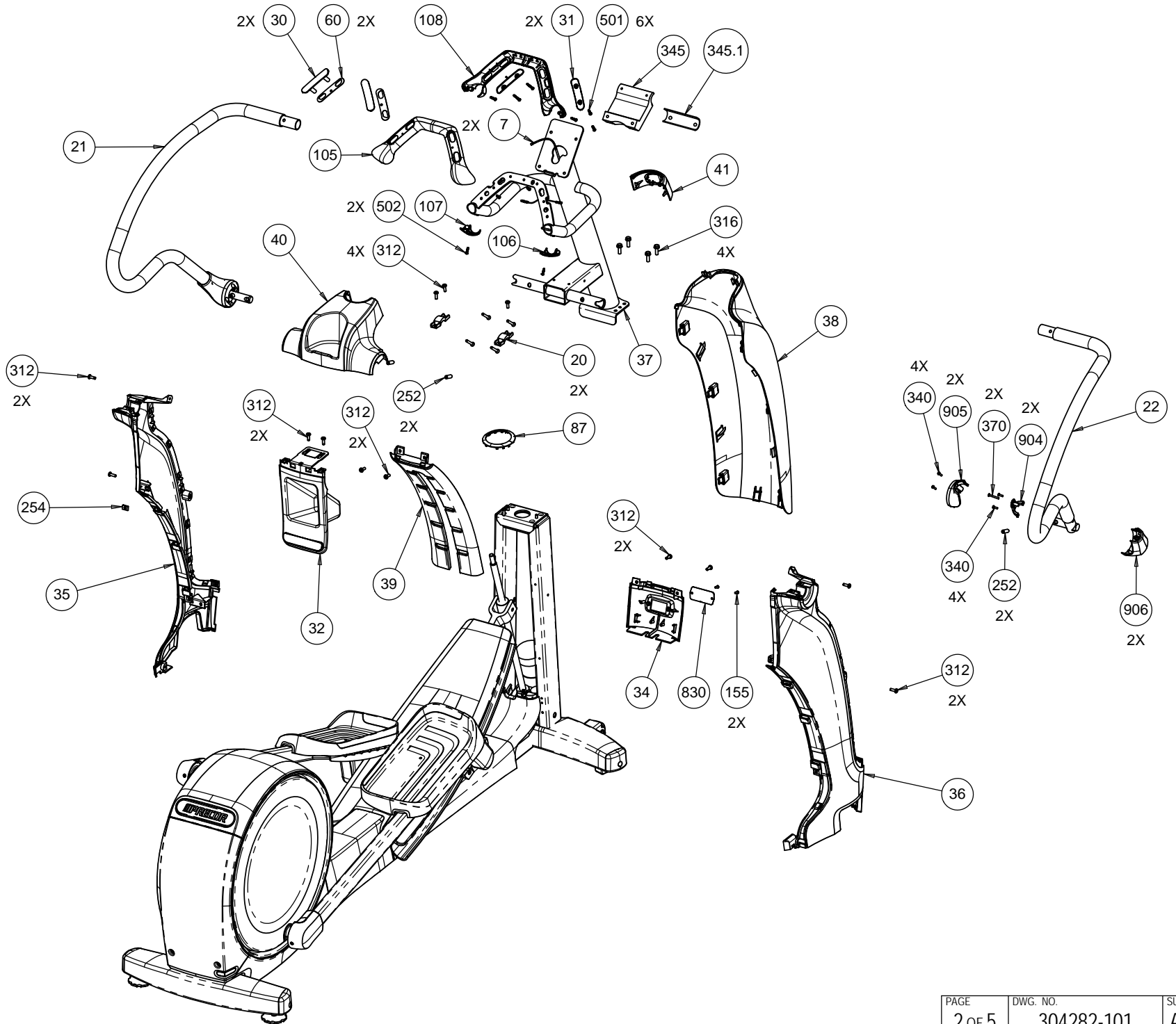
2

1



PRODUCT:				PRECOR		
EFX800-16 FIXED ARMS						
DRWN BY	08/04/16	SAH	SIZE	PAGE	DWG. NO.	SUBREV
CS	08/03/16	SM	A	1 OF 5	304282-101	A03

DRAWING TEMPLATE REV. C



D

C

B

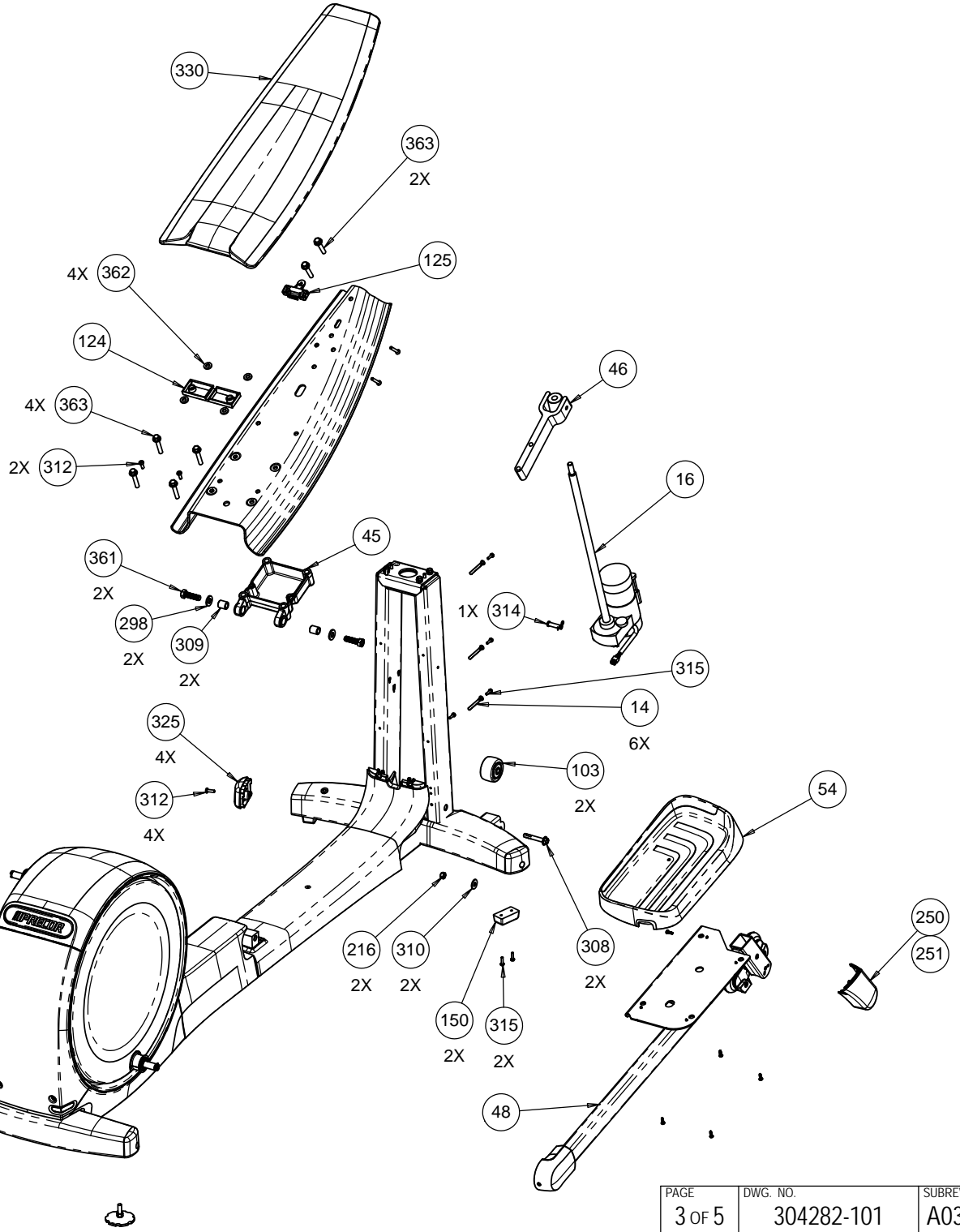
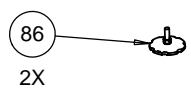
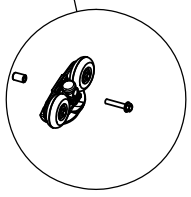
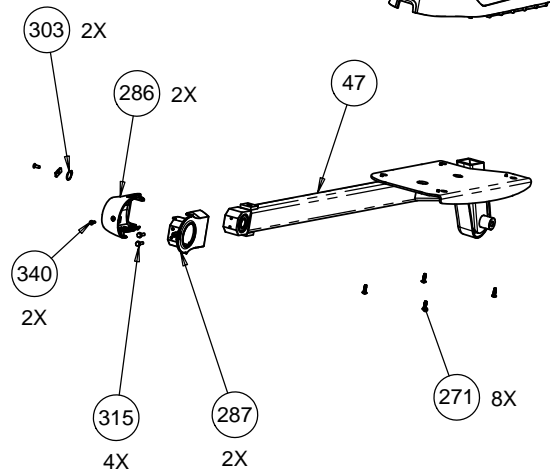
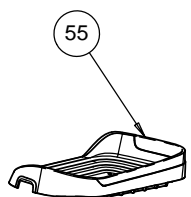
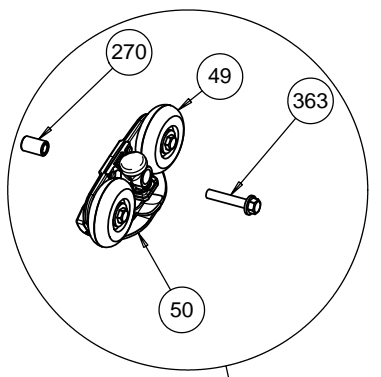
A

4

3

2

1



D

C

B

A

