

D

C

B

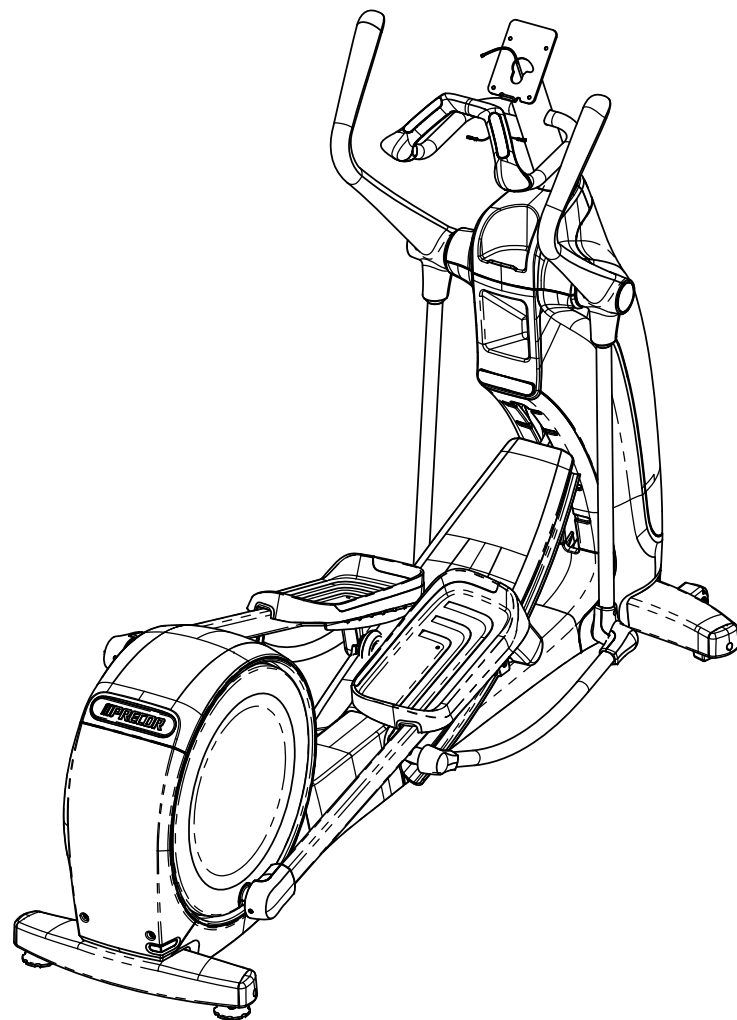
A

4

3

2

1



PRODUCT:				PRECOR		
EFX800-16 MOVING ARMS						
DRWN BY	08/03/16	SAH	SIZE	PAGE	DWG. NO.	SUBREV
CS	08/03/16	SM	A	1 OF 5	304283-101	A03

DRAWING TEMPLATE REV: D

D

C

B

A

4

3

2

1

2X 2X

30 60

105

108

2X 31

501

6X

4X

316

87

7

107

2X

502

106

41

37

40

2X

312

32

312

2X

39

2X

312

34

830

155

2X

252

2X

312

21

254

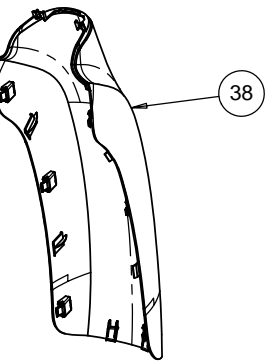
35

2X

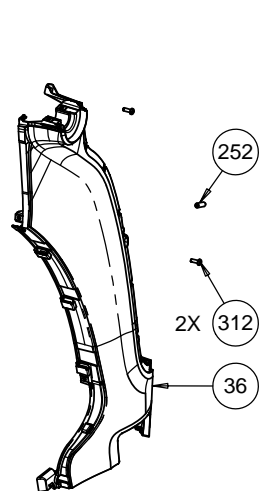
56

25

26



38



36

252

2X

312

22

6X

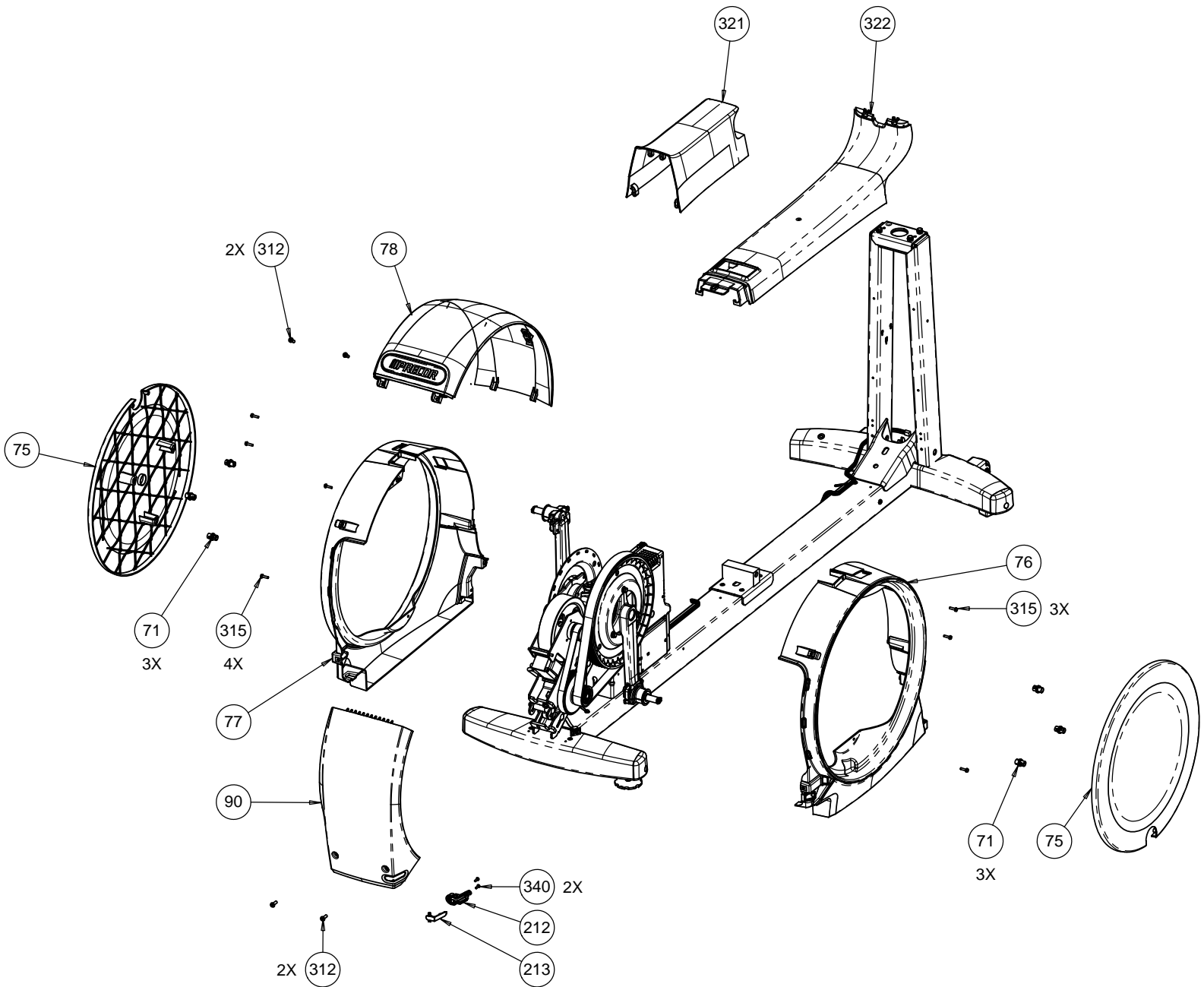
340

6X

301

302

6X



D

C

B

A

4

3

2

1

