

D

C

B

A



PRODUCT:
TRM700-16

PRECOR

DRWN BY	09/30/16	SAH	SIZE	PAGE	DWG. NO.	SUBREV
CS	06/22/16	SM	A	1 OF 7	304380-101	A01

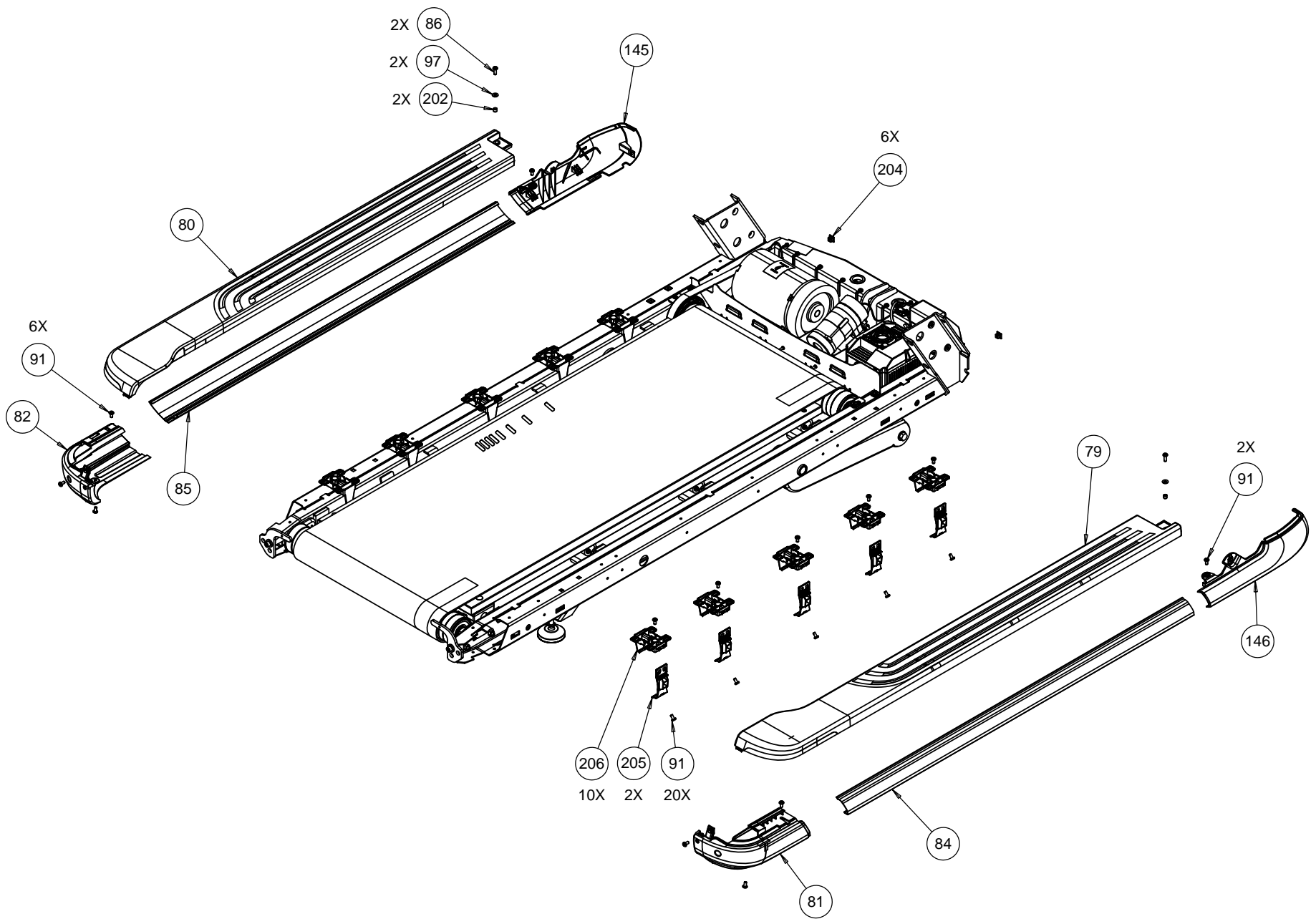
DRAWING TEMPLATE REV. D

D

C

B

A

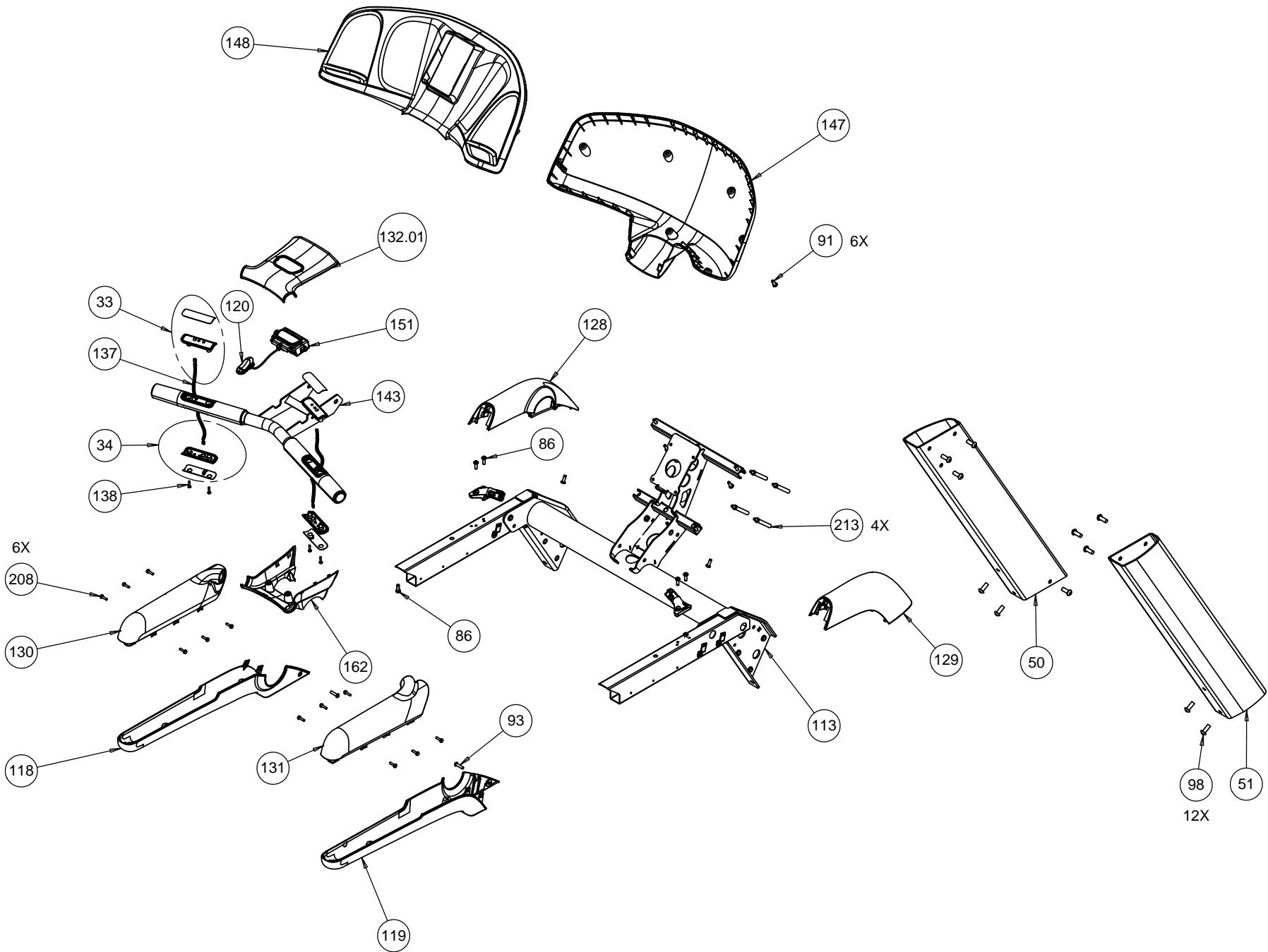


4

3

2

1

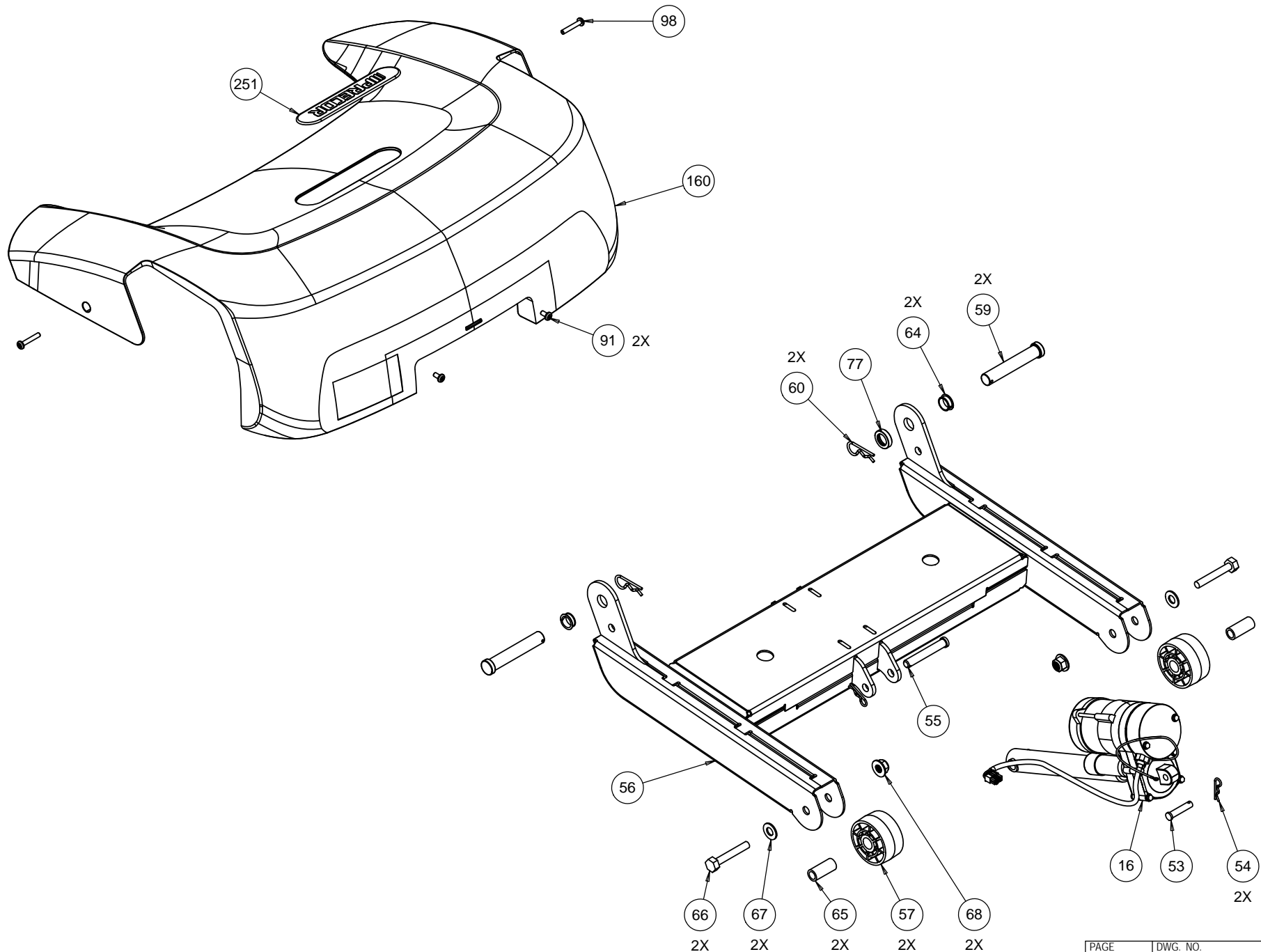


4

3

2

1



D

C

B

A

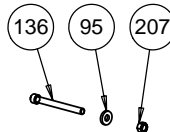
4

3

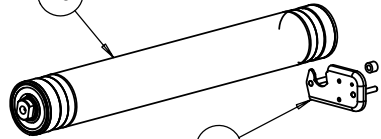
2

1

2X 2X 2X



20



88



4X 133

4X 134

2X 75

139

158

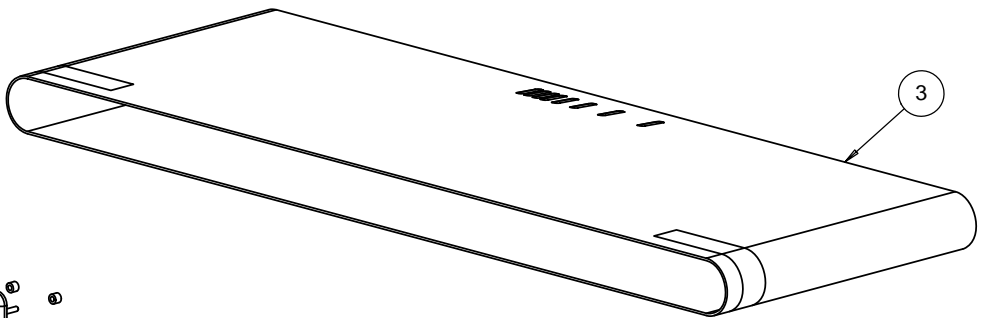
159

89

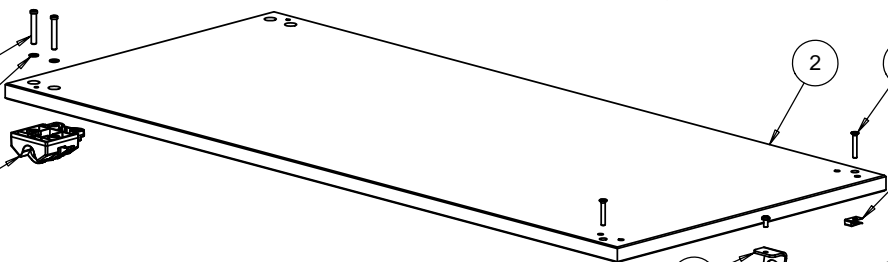
4X

2X

4X



3



2

2X 14

2X 13

91 2X

15

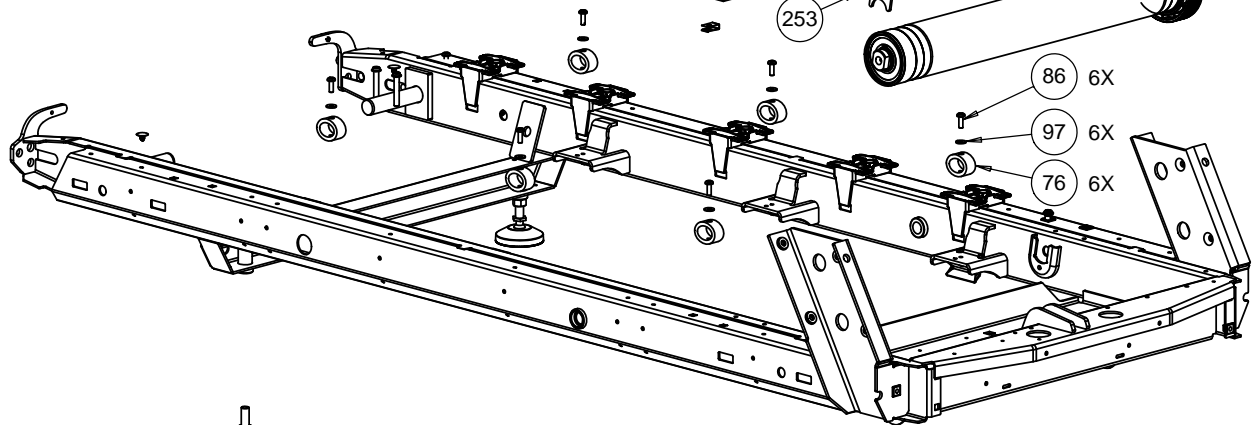
19

253

86 6X

97 6X

76 6X



124 2X



D

C

B

A

